

Services

Used to seal plastic pipes as they pass through fire compartment walls and floors.

Description

A metal shell produced in two hinged halves, lined with intumescent material, to be placed around combustible pipes and fixed to compartment walls and floors with all steel anchors (supplied) to provide up to 4 hours fire protection.

Dimensions and Colour

Standard sizes:

55 mm, 82 mm, 110 mm, 160 mm and 200 mm. Other sizes available on request.

Larger sizes to special order up to 355 mm

Colour: red

Fire testing

- Tested at Exova Warrington to BS 476 Pt 20, up to 4 hours fire integrity and insulation on block/concrete
- Tested at Exova BM Trada to BS-EN 1366-3, up to 60 minutes integrity and insulation on drywall or 120 minutes in conjunction with Firetherm Intubatt, blockwork or floors



Features

- Ultra-slim flange and body design ensures easy installation in awkward situations
- Tested at Exova BM TRADA
- Simple single click clasp
- Next day availability on standard sizes
- Supplied with blockwork fixings
- 100 times minimum expansion of active product
- Water resistant
- Non-corrosive: inert product

Applications

Used to seal plastic (PVC-U, PVC, C-PVC, PP, PE, HDPE, PPR, Friatherm and ABS) pipes as they pass through fire compartment walls and floors. In a fire, the intumescent lining of the metal collar expands and crushes the heat softened plastic pipe leaving a potential path for fire completely sealed.

Tested in insulated/non insulated dry wall construction, blockwork walls, concrete floors and within Firetherm Intubatt.

Installation

- For walls, a collar is required on both sides. For floors use one on the underside only.
- Fit a collar around the plastic pipe and slide it up to the compartment wall or floor.
- Close the collar around the pipe using the over centre catch.
- Decide on the best position of the remote fixings bearing in mind site conditions. Mark and drill 6 mm holes to accept the all steel fixings.

Ensure all fixing brackets are utilised.

- Tighten the fixings and test security of installation manually.

For dry wall applications (up to 60 minutes), Intucollars are tested using full thread dry-wall screws. Use a very low torque set with electric screwdrivers.

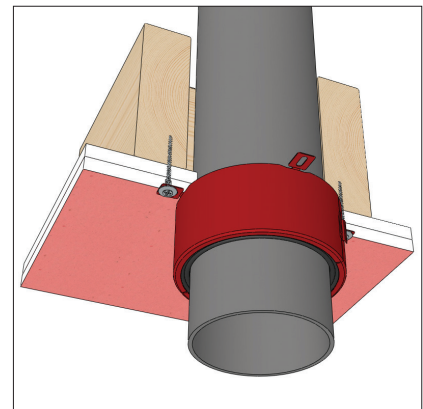
Legislation

Building Regulations 2000 Approved Document B states that all plastic pipes with an internal diameter over 40 mm should be provided with a proprietary sealing system which has been shown by tests to maintain the fire resistance of the wall, floor or cavity barrier. Firetherm Intucollar complies with these requirements.

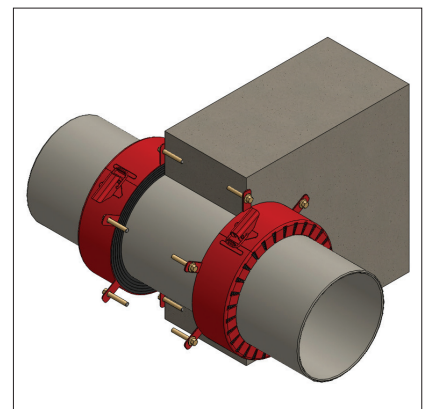
Specification

Install Firetherm Intucollar to seal around all plastic pipes. Design and installation to be fully in accordance with manufacturer's instructions.

Typical Details



Intucollar in timber floor



Intucollar in masonry wall

Firetherm Intumescent & Insulation Supplies Limited

Unit F Acorn Industrial Park, Crayford Road, Crayford, Kent DA1 4FT

Phone: 01322 551010 Fax: 01322 552727 Email: sales@firetherm.com www.firetherm.com

This data sheet offers guidance related to fire testing results and does not offer methodology of the installation of the product. Suitability of this product and its usage to substrate type, service type and fire requirement must be confirmed before installation commences. A specific detail relevant to installation must be requested. Firetherm recommend that all fire stopping products should be installed by a third party accredited fire stopping contractor or competent person. Full application details and methodology instructions should be requested before installation of this product commences. Standard terms and conditions apply at all times.

