

An intumescent closer device for combustible services.

Description

A 140 to 300mm (dependent on requirement) deep steel sleeve that is positioned around combustible pipes to provide up to 4 hours fire protection. Designed specifically to provide a low cost solution for fire sealing combustible pipe penetrations whilst completely protecting the cavity within stud work walls.

Intusleeve is a perfect solution for angled pipes.

Dimensions and Colour

Circular, diameters: 55 mm, 82 mm, 90 mm, 110 mm, 160 mm & 200 mm.

Standard length: 140 mm. Length may be increased to suit angled pipe requirements.

Colour: red

Fire Testing

- Tested at Exova BM Trada to BS EN 1366-3 and BS 476 Pt 20-22



Features

- Ultra-slim body design ensures easy installation in awkward situations and less obtrusive than externally fitted fire collars
- Fully tested at Exova BM TRADA to 2 hours integrity and insulation walls. 4 hours integrity and insulation when used within Intucompound floor seals

Applications

Used to seal combustible pipes as they pass through fire compartment walls and floors. In a fire, the intumescent lining within the metal sleeve expands and crushes the heat softened plastic pipe leaving a potential path for fire completely sealed.

Typical Configuration Types

Combustible pipes, insulation types: rock fibre, glass fibre, phenolic, nitrile rubbers.

Tested In floors and walls, including lightweight partitions.

May also be used within Firetherm Intubatt 1 and 2.

Installation

- Pull open Intusleeve and fit around pipe.
- Push Intusleeve through compartment wall ensuring equal overhang to each side.
- Close Intusleeve.
- Seal in place using Firetherm Intumastic or ADL sealant in gaps up to 20 mm. Larger openings may be sealed with Firetherm Intubatt.
- Annular spaces up to 60 mm may be packed using a minimum 60 mm depth 64 kg rock fibre.

Length of sleeve is relative to the width of wall and should be specified when placing order.

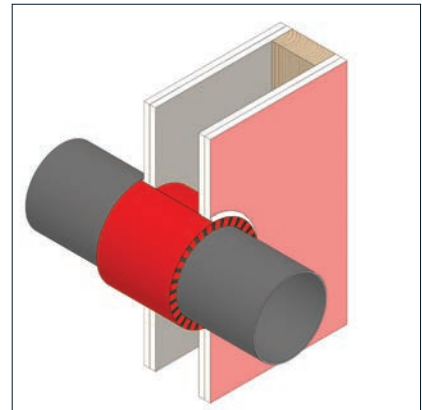
Legislation

Building Regulations 2000 Approved Document B states that all plastic pipes over 40 mm should be provided with a proprietary sealing system which has been shown by tests to maintain the fire resistance of the wall, floor or cavity barrier. Firetherm Intusleeve complies with these requirements.

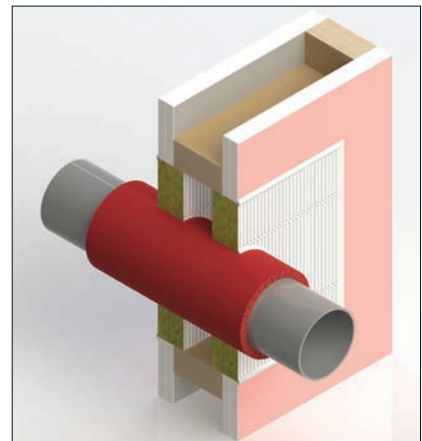
Storage & Shelf Life

Intusleeve has a 50 year shelf life when stored in shaded, dry conditions between -50°C and +65°C.

Typical Details



Intusleeve pipe penetration in dry lined wall



Intusleeve pipe penetration with Intubatt