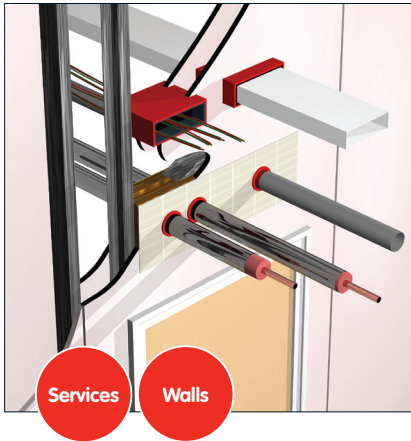


Intusleeve Duct

Integrity
up to
120
minutes

Insulation
up to
120
minutes



An economical solution for fire sealing combustible ducting penetrations.

Description

A 140 to 300 mm (dependent on requirement) deep steel sleeve that is positioned around the ductwork. The device is pre-lined with a high expansion intumescent and is designed specifically to provide a low cost solution for fire sealing combustible ducting penetrations whilst completely protecting the cavity within stud work walls. The device can be retro-fitted to existing ducting.

Dimensions and Colour

Rectangular ducts: 204 x 60 mm, 110 x 54 mm, 225 x 25 mm, 220 x 90 mm, 300 x 25 mm

50 to 160 mm diameters when using circular ducting.

Standard length: 140 mm. Other sizes available to order on request.

Colour: red

Fire Testing

- Tested at Exova BM Trada to BS EN 1366-3 and BS 476 Pt 20-22, 120 minutes EI



Features

- Ultra-slim body design ensures easy installation in awkward situations
- Fully tested at BM TRADA to 2 hours integrity and Insulation walls

Applications

Used to seal plastic ventilation ducts as they pass through fire compartment walls. In a fire, the intumescent lining within the metal sleeve expands and crushes the heat softened plastic pipe leaving a potential path for fire completely sealed.

3-sided, soffit mounted version also available.

Installation

1. Open Intusleeve Duct and fit around duct. Replace lid. 3-sided option attaches directly to soffit through pre drilled holes.
2. Push Intusleeve through compartment wall ensuring equal overhang each side.
4. Seal in place using Firetherm Intumastic or ADL sealant in gaps up to 20 mm. Larger openings may be sealed with Firetherm Intubatt.
5. Annular spaces up to 60 mm may be packed using a minimum 60 mm depth 64 kg rock fibre.

Length of sleeve is relative to the width of wall and the seal. This should be specified when placing order.

220 x 90 mm duct requires a minimum 250 mm length of sleeve.

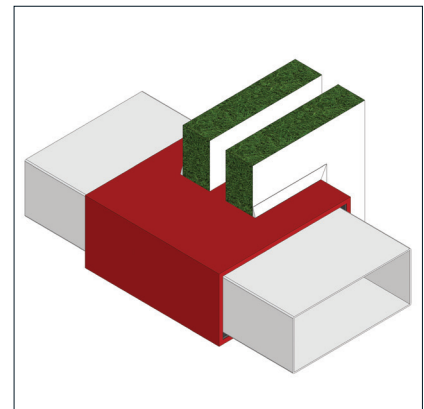
Legislation

Building Regulations 2000 Approved Document B states that all plastic pipes over 40 mm should be provided with a proprietary sealing system which has been shown by tests to maintain the fire resistance of the wall. Firetherm Intusleeve complies with these requirements.

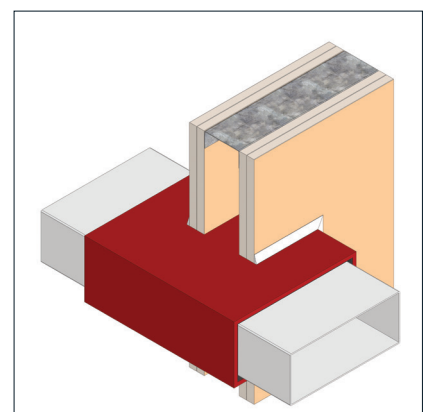
Specification

Install Firetherm Intusleeves to seal around all plastic ducts. Design and installation to be fully in accordance with manufacturer's instructions. Available in both 3 and 4 sided versions to suit all applications.

Typical Details



Intusleeve duct in Intubatt



Intusleeve duct in dry lined wall

Firetherm Intumescent & Insulation Supplies Limited
Unit F Acorn Industrial Park, Crayford Road, Crayford, Kent DA11 4FT

Phone: 01322 551010 Fax: 01322 552727 Email: sales@firetherm.com www.firetherm.com

This data sheet offers guidance related to fire testing results and does not offer methodology of the installation of the product. Suitability of this product and its usage to substrate type, service type and fire requirement must be confirmed before installation commences. A specific detail relevant to installation must be requested. Firetherm recommend that all fire stopping products should be installed by a third party accredited fire stopping contractor or competent person. Full application details and methodology instructions should be requested before installation of this product commences. Standard terms and conditions apply at all times.

